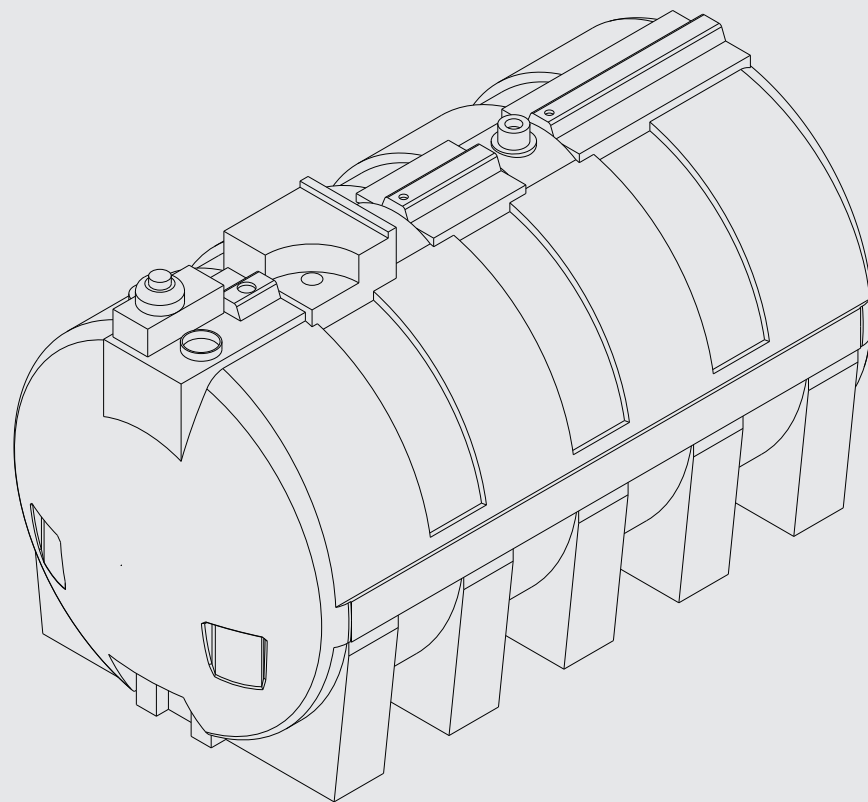


DESO

ENGINEERING

Deso Engineering
Slade Way
Roughmoor Industrial Estate
Williton
Somerset
TA4 4TB

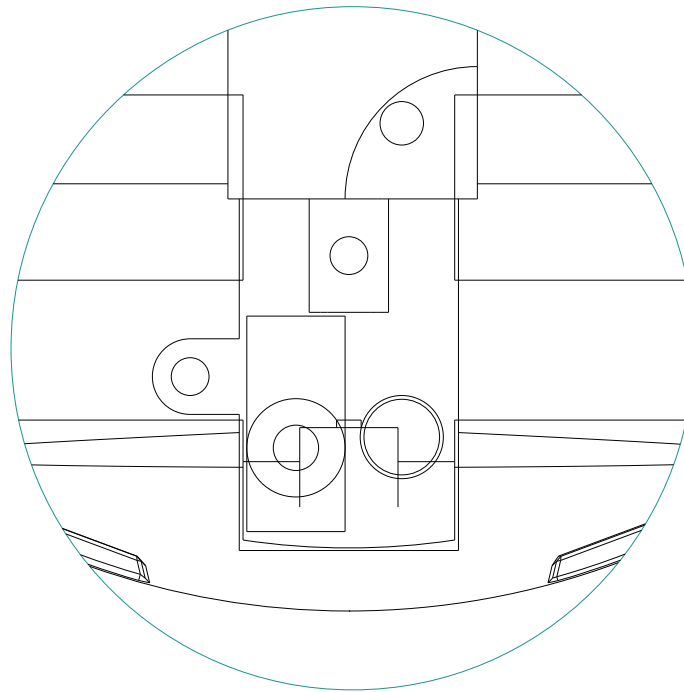
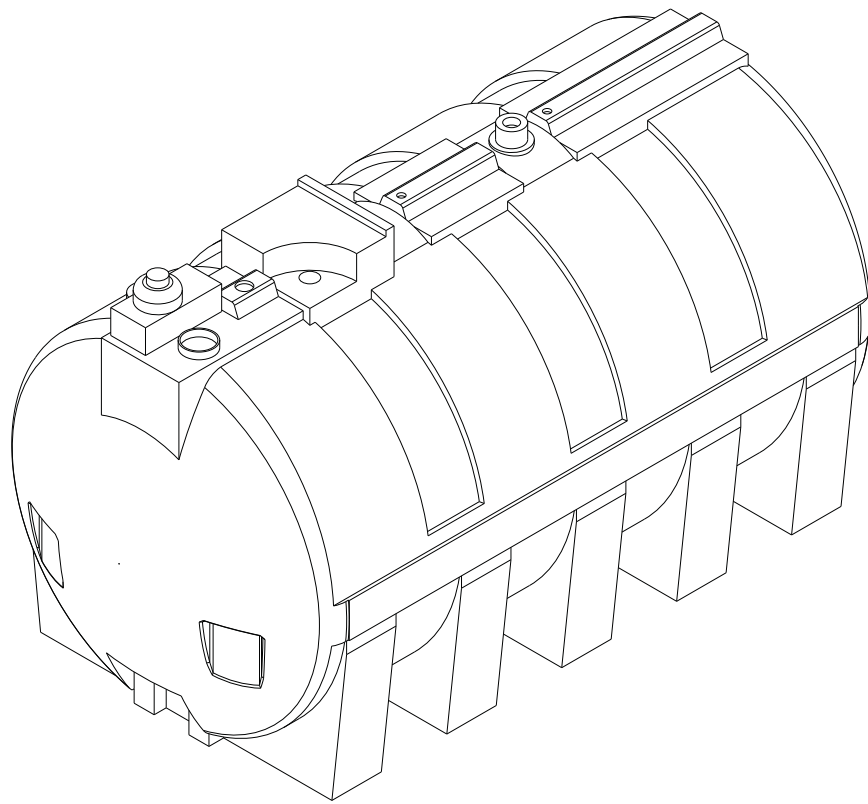
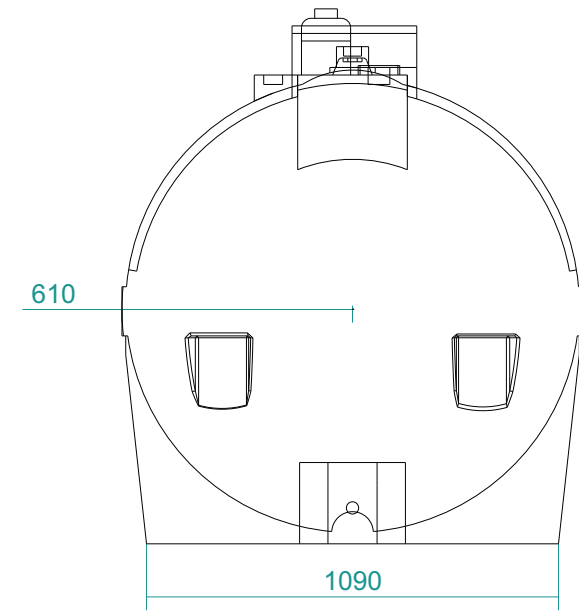
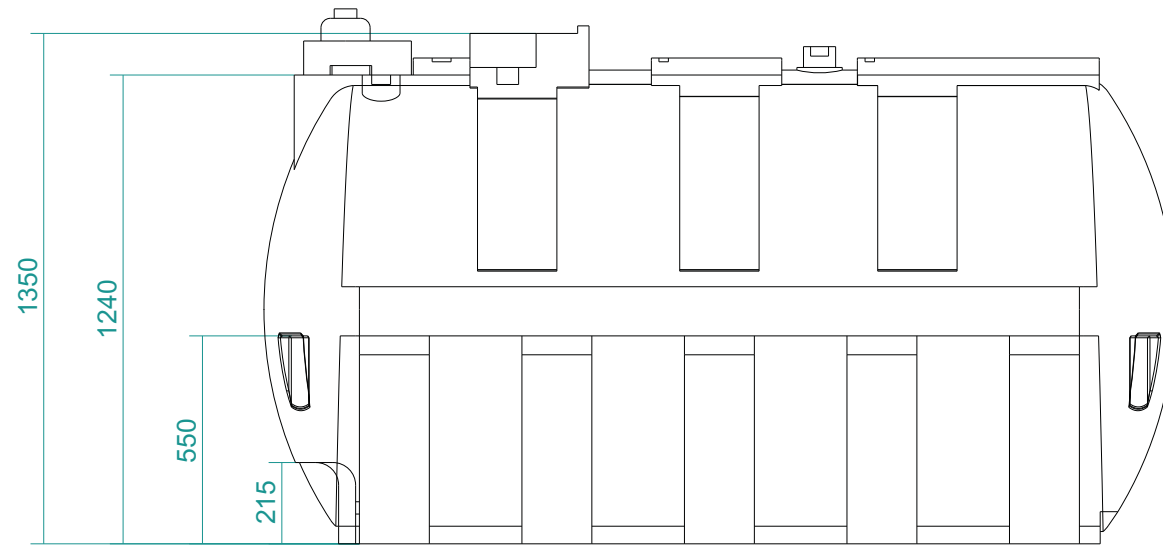
Telephone - 01984 632026
Fax - 01984 634267
enquiries@desoengineering.co.uk



H2500

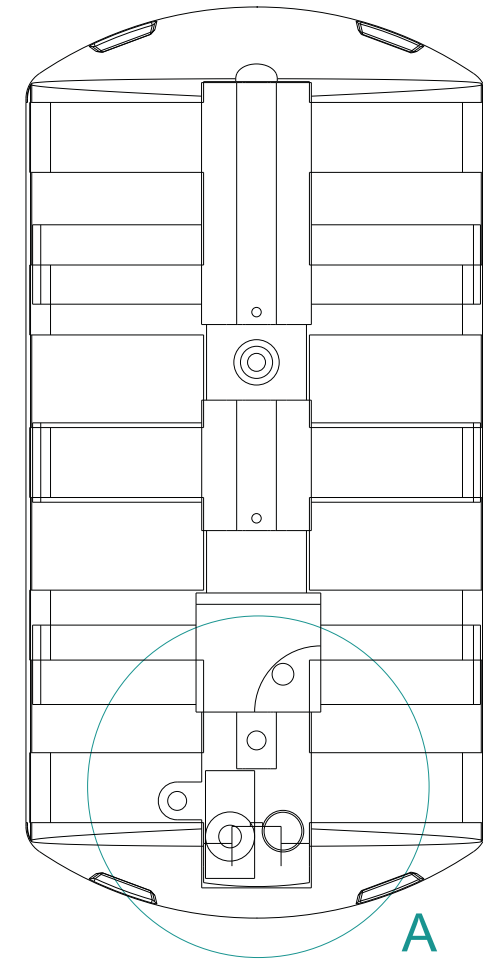
Weight	95kg
Capacity	2500litres
Diameter	-
Length	2350mm
Width	1220mm
Height	1300mm
Ofcert licence No.	0668030703

H2500



DETAIL A

1:10



A

H2500	No. 1 of 1	3rd Angle Orthographic	scale: 1:20	Design by Inky Design www.inky-design.co.uk
DESO ENGINEERING Telephone - 01984 632026		drawn by: Jonathan Taphouse (BEng)		
		date: 28 - 01 - 2008		ISO