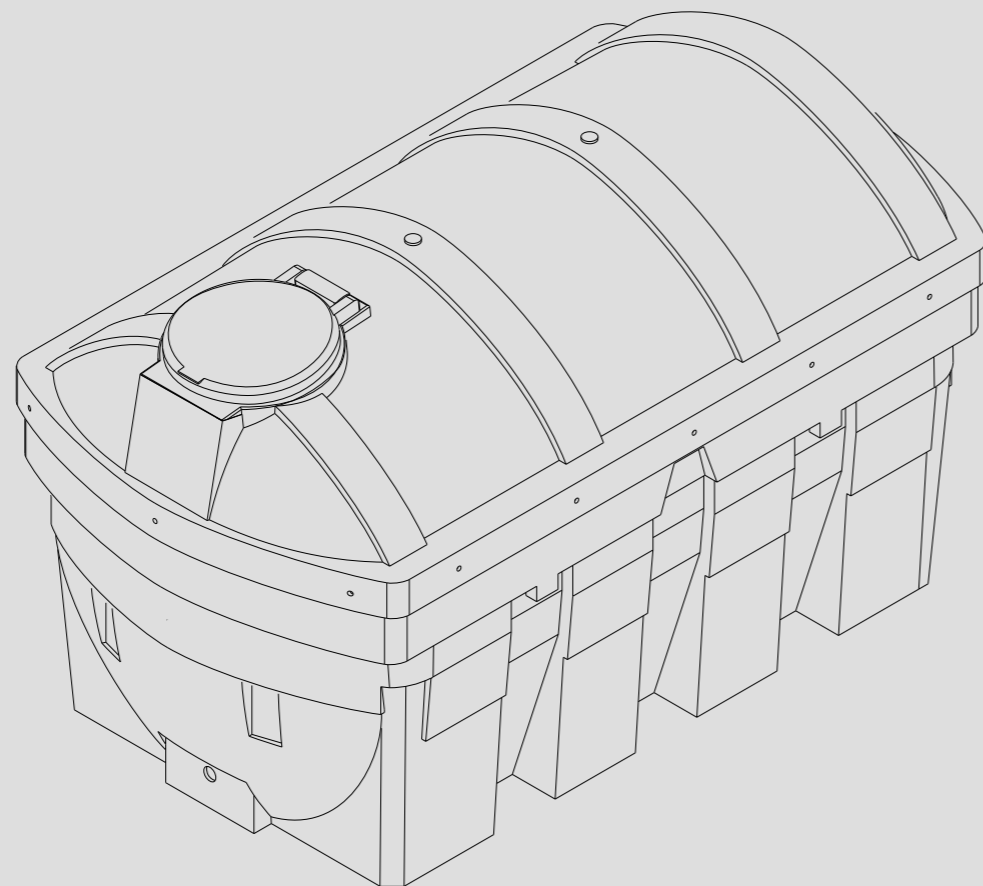


DESO

ENGINEERING

Deso Engineering
Slade Way
Roughmoor Industrial Estate
Williton
Somerset
TA4 4TB

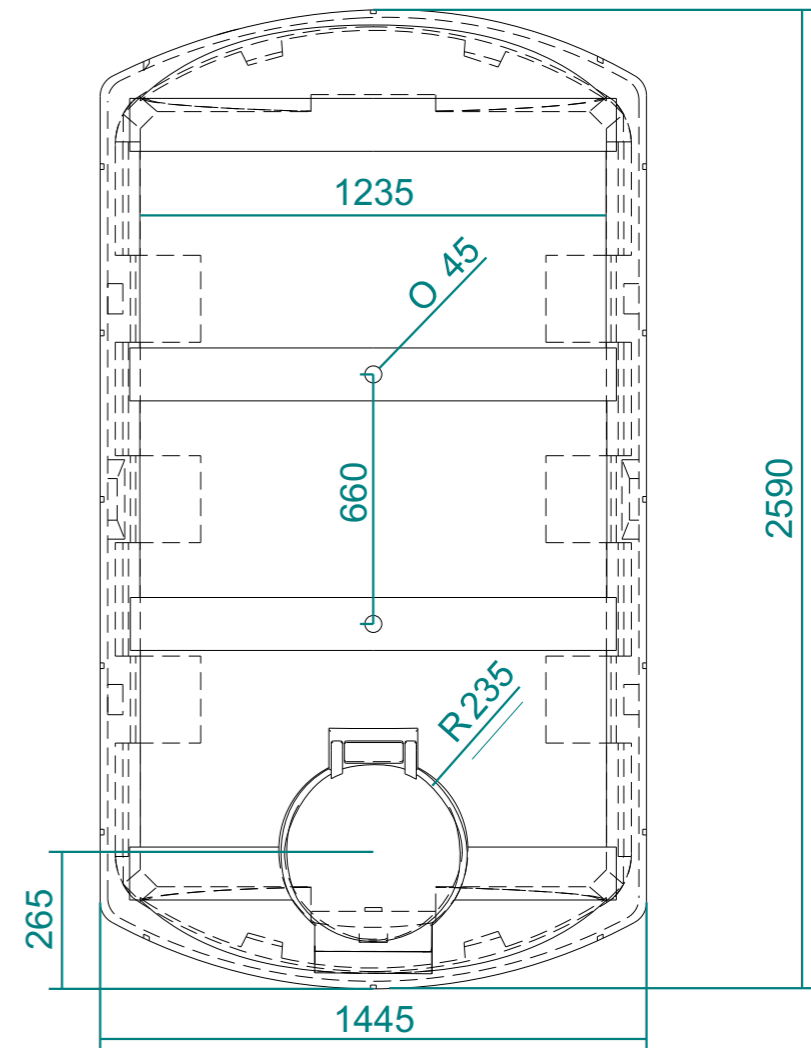
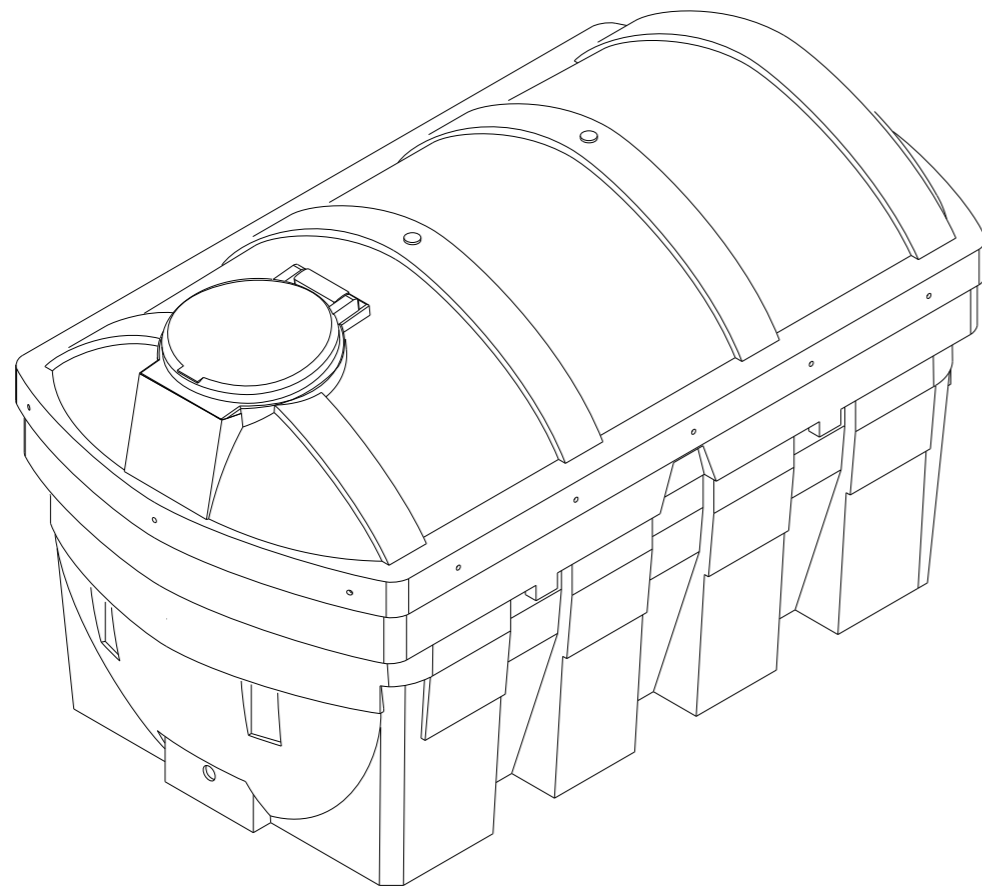
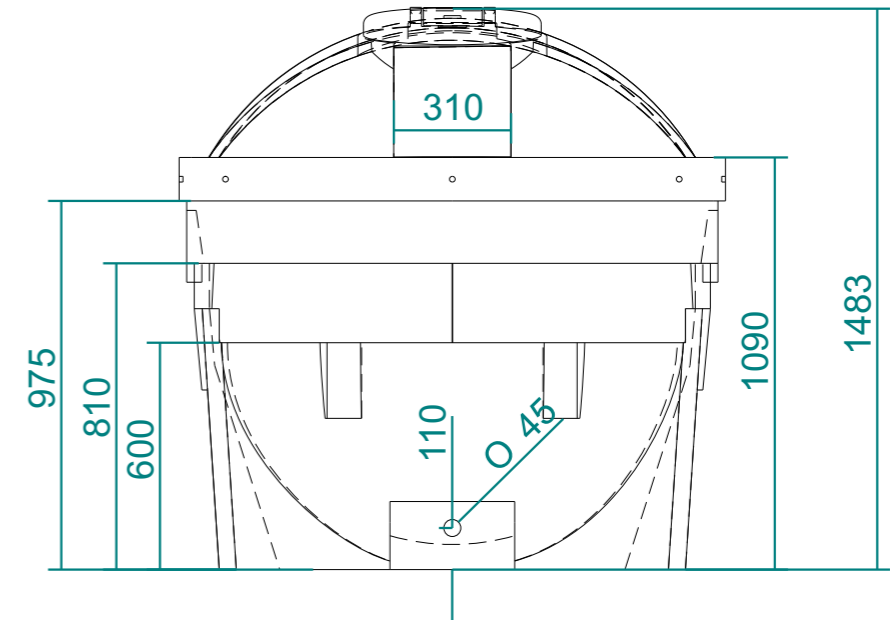
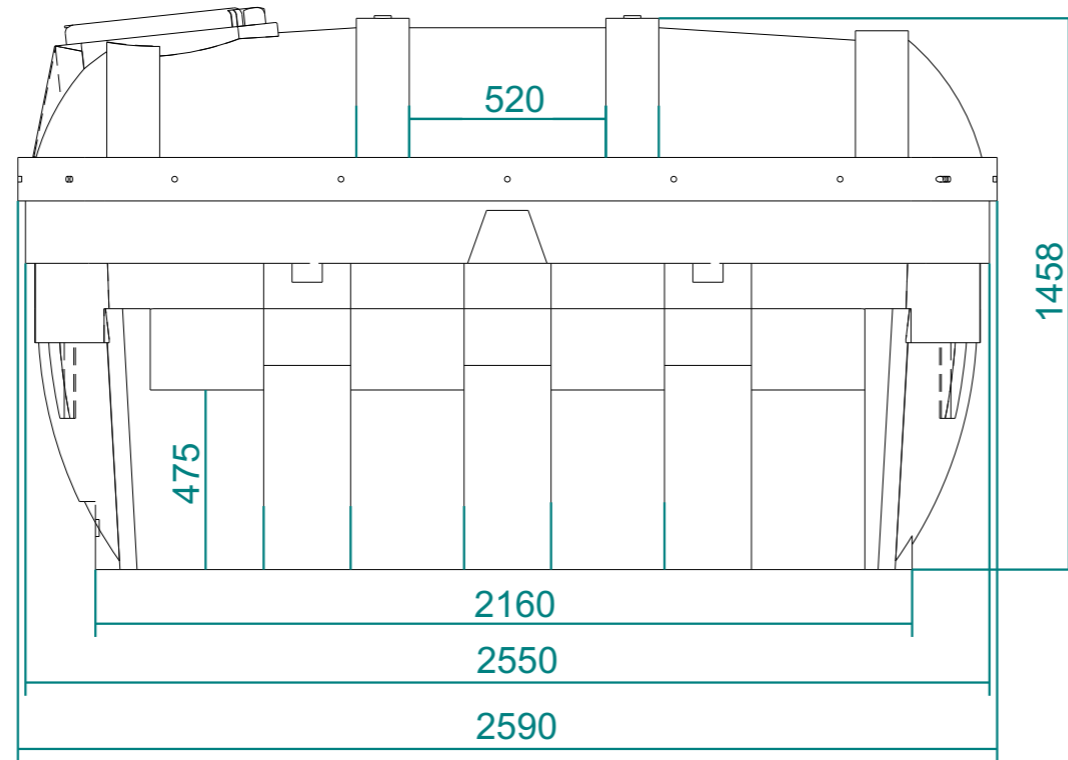
Telephone - 01984 632026
Fax - 01984 634267
enquiries@desoengineering.co.uk



H2500B

Weight	-
Capacity	2500litres
Diameter	-
Length	2590mm
Width	1445mm
Height	1483mm
Ofcert licence No.	

H2500B



H2500B	No. 1 of 1	3rd Angle Orthographic	scale: 1:20	Design by Inky Design www.inky-design.co.uk
DESO ENGINEERING Telephone - 01984 632026		drawn by: Jonathan Taphouse (BEng)		
		date: 23 - 12 - 2010		ISO