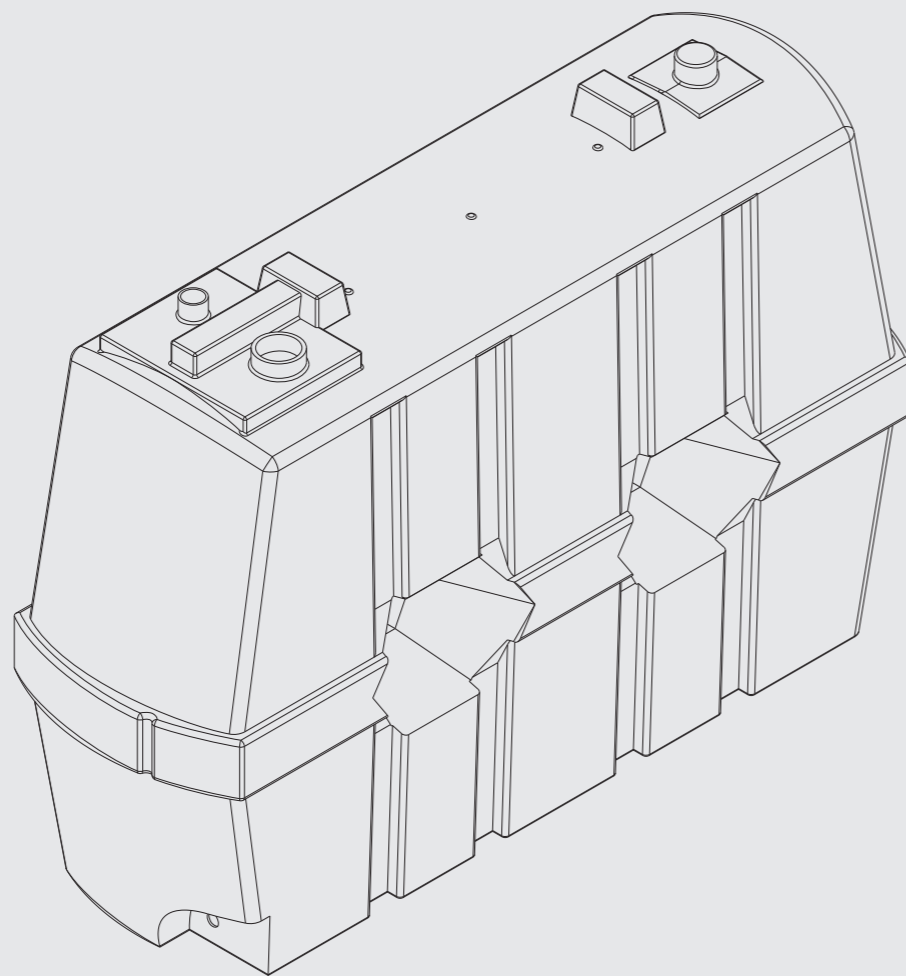


DESO

ENGINEERING

Deso Engineering
Slade Way
Roughmoor Industrial Estate
Williton
Somerset
TA4 4TB

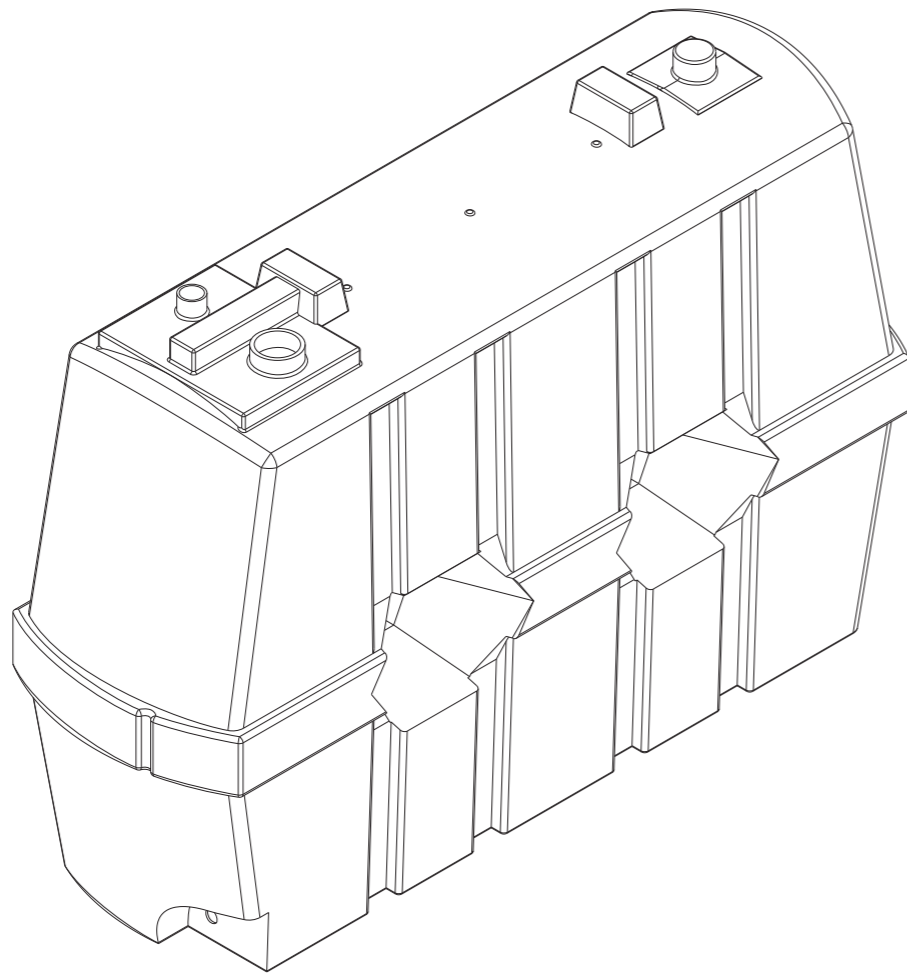
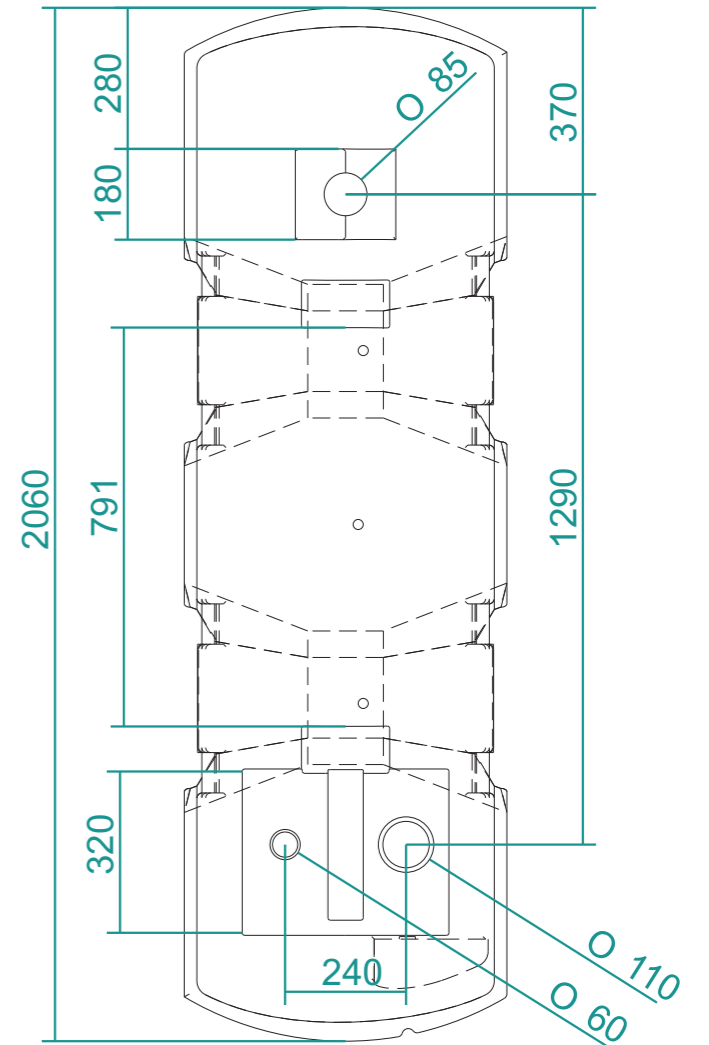
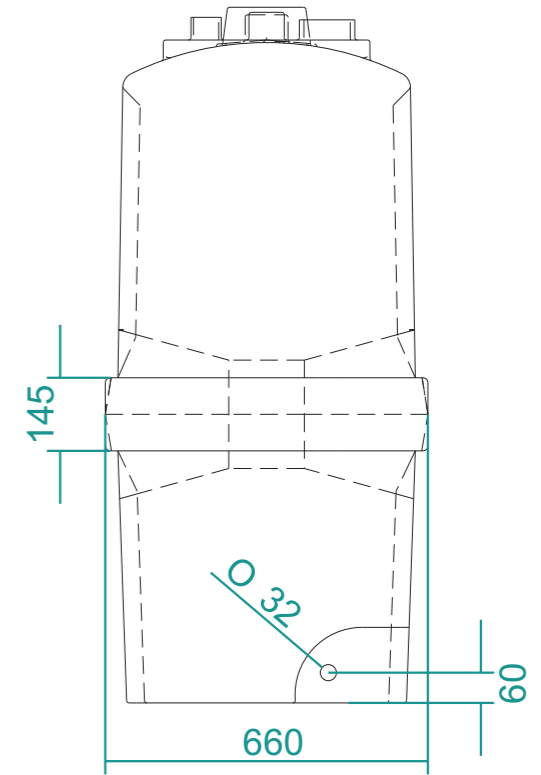
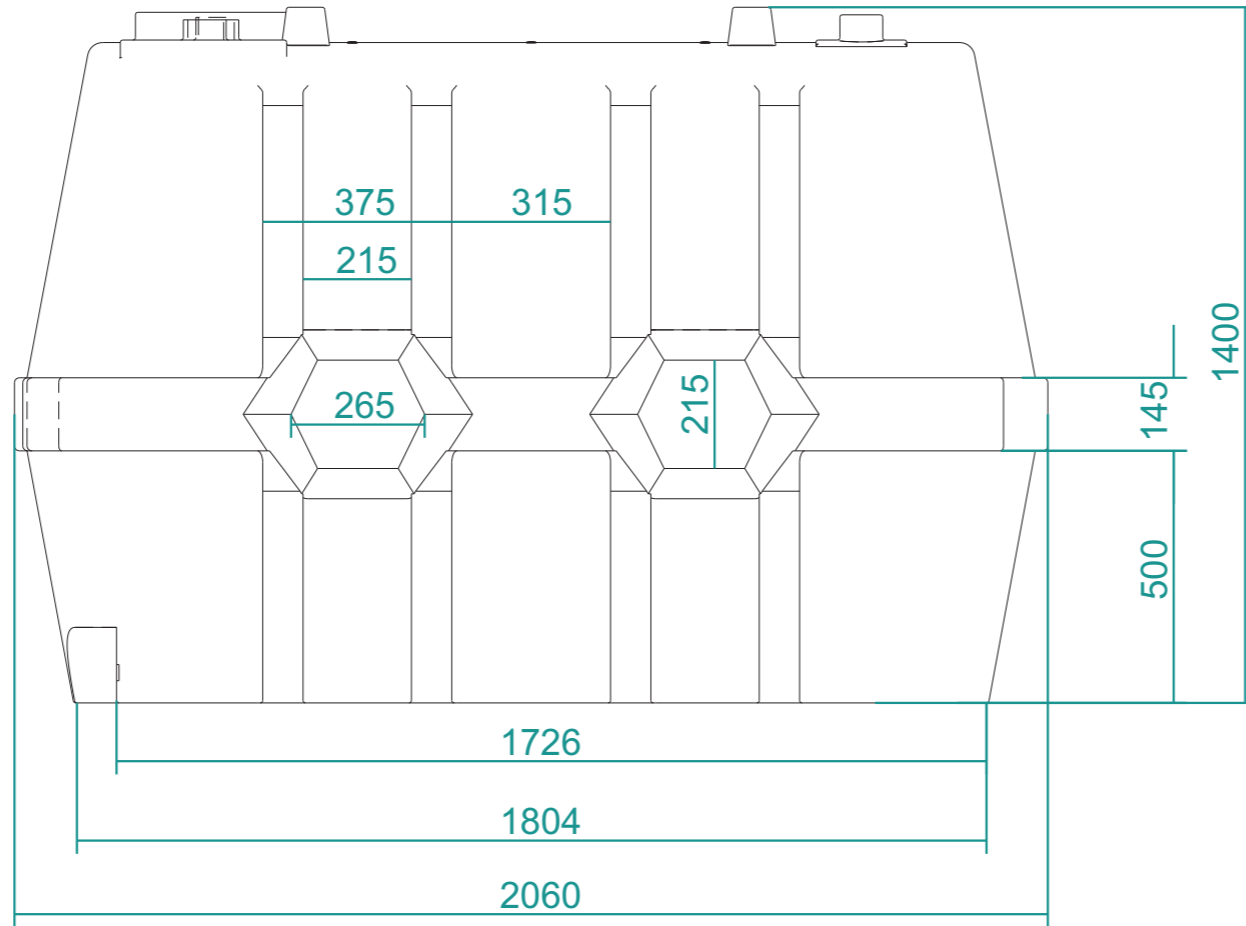
Telephone - 01984 632026
Fax - 01984 634267
enquiries@desoengineering.co.uk



R1220

Weight	70kg
Capacity	1220litres
Diameter	-
Length	2060mm
Width	660mm
Height	1400mm
Ofcert licence No.	0668040201

R1220



R1220	No. 1 of 1	3rd Angle Orthographic	scale: 1:15	Design by Inky Design www.inky-design.co.uk
DESO ENGINEERING Telephone - 01984 632026		drawn by: Jonathan Taphouse (BEng)		
		date: 23 - 04 - 2010		ISO