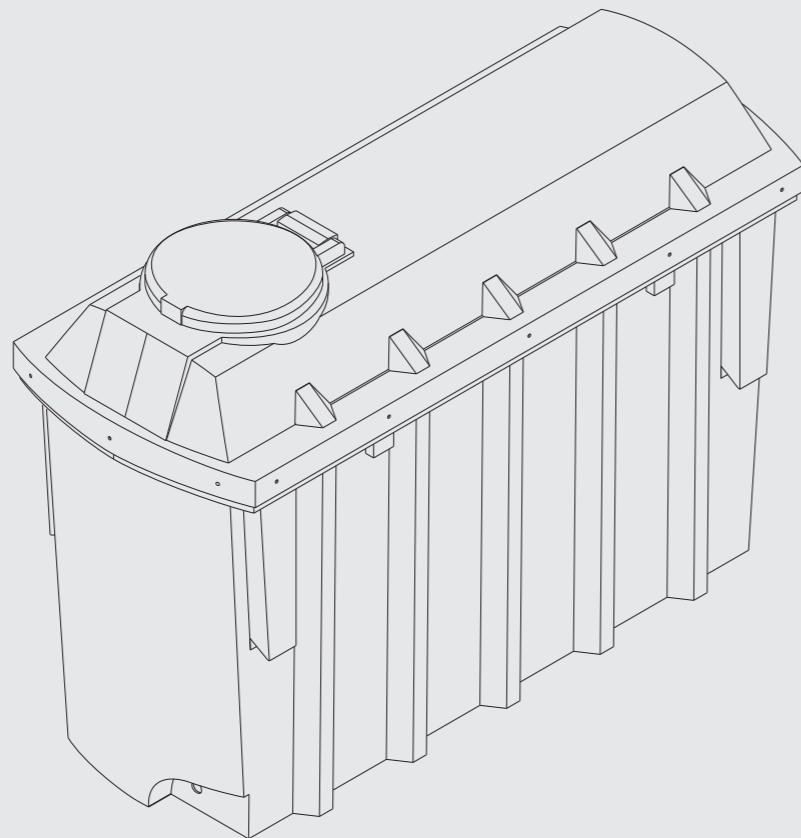


DESO

ENGINEERING

Deso Engineering
Slade Way
Roughmoor Industrial Estate
Williton
Somerset
TA4 4TB

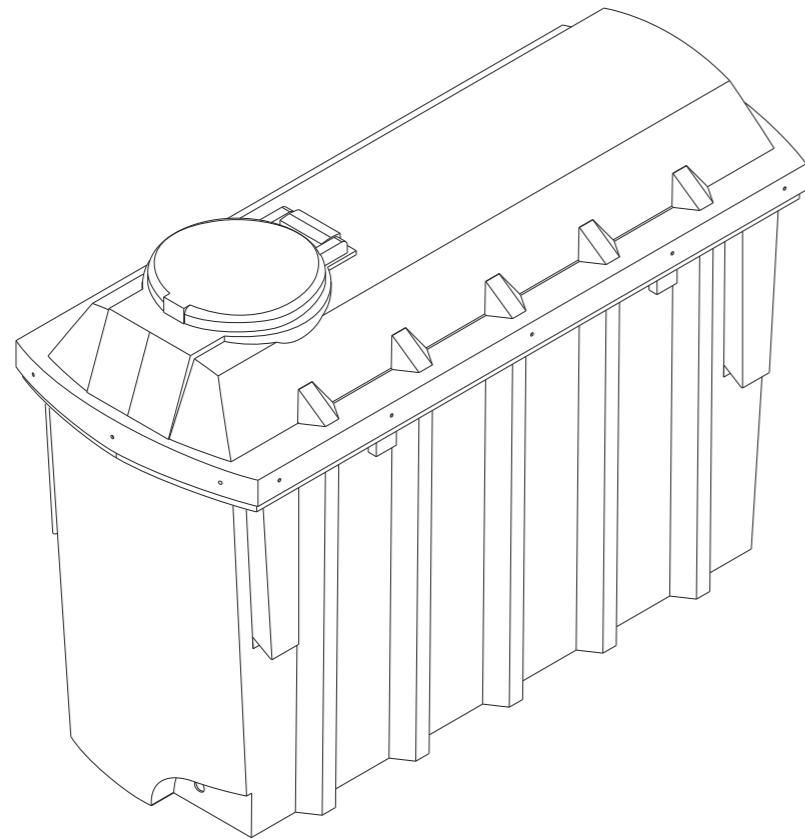
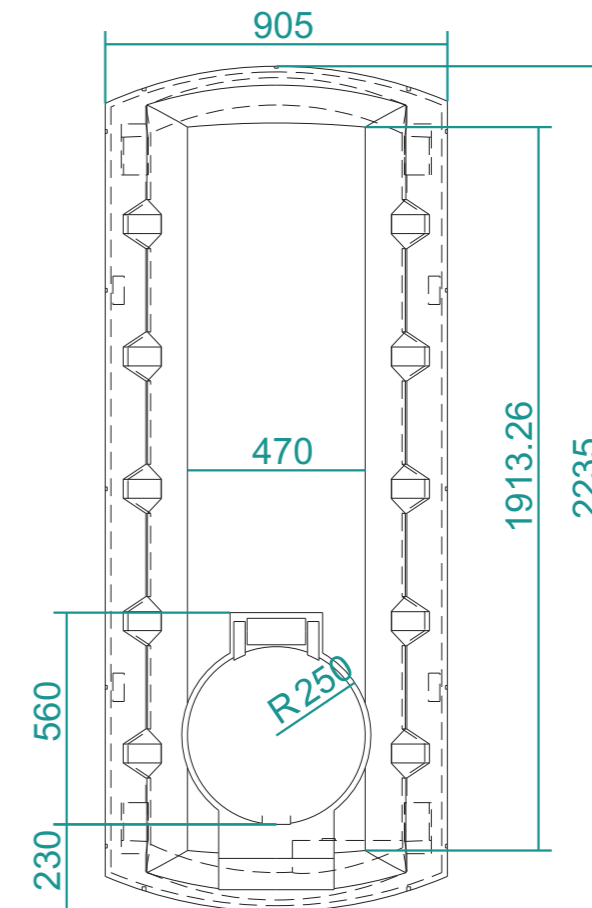
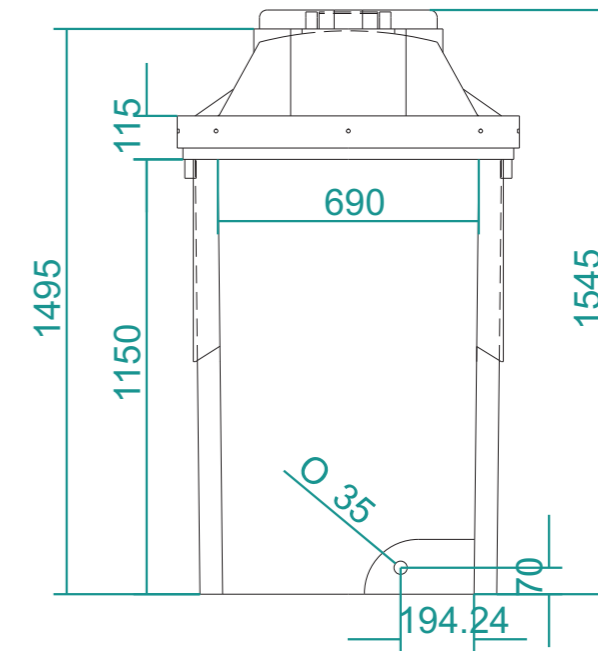
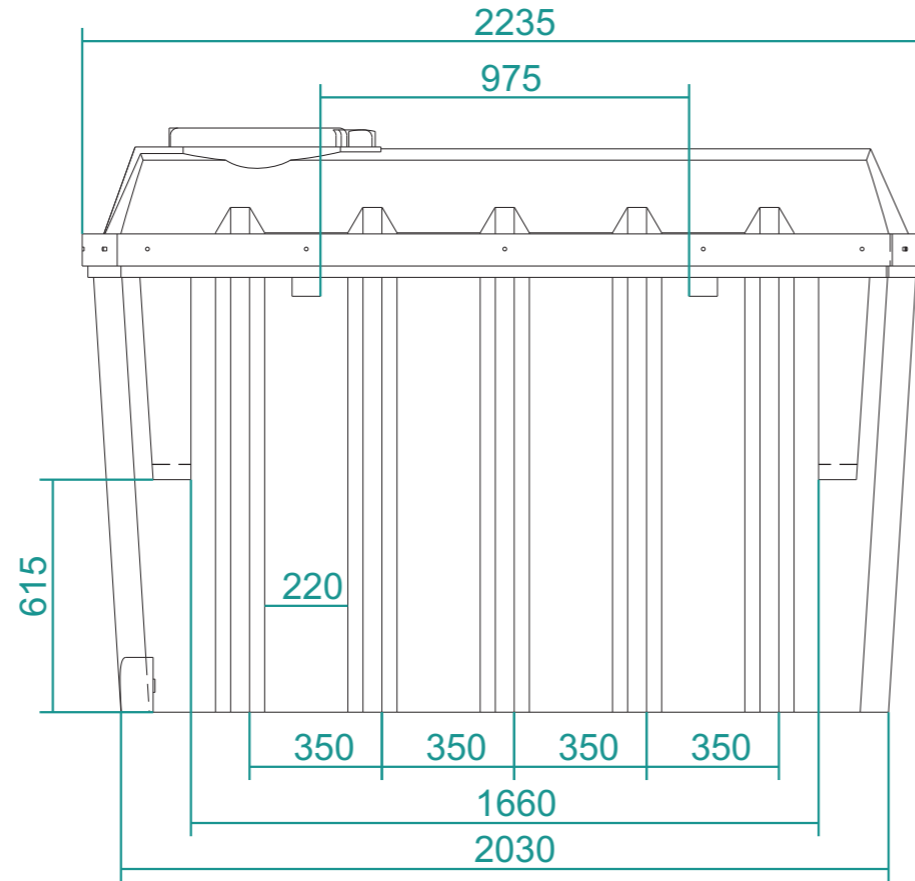
Telephone - 01984 632026
Fax - 01984 634267
enquiries@desoengineering.co.uk



R1220B

| | |
|--------------------|------------|
| Weight | 162kg |
| Capacity | 1220litres |
| Diameter | - |
| Length | 2235mm |
| Width | 905mm |
| Height | 1545mm |
| Ofcert licence No. | 0668020314 |

R1220B



| | | | | |
|--|------------|------------------------------------|--------------------|--|
| R1220B | No. 1 of 1 | 3rd Angle Orthographic | scale: 1:20 | Design by Inky Design www.inky-design.co.uk |
| DESO ENGINEERING Telephone - 01984 632026 | | drawn by: Jonathan Taphouse (BEng) | | |
| | | date: 19 - 11 - 2010 | ISO | |