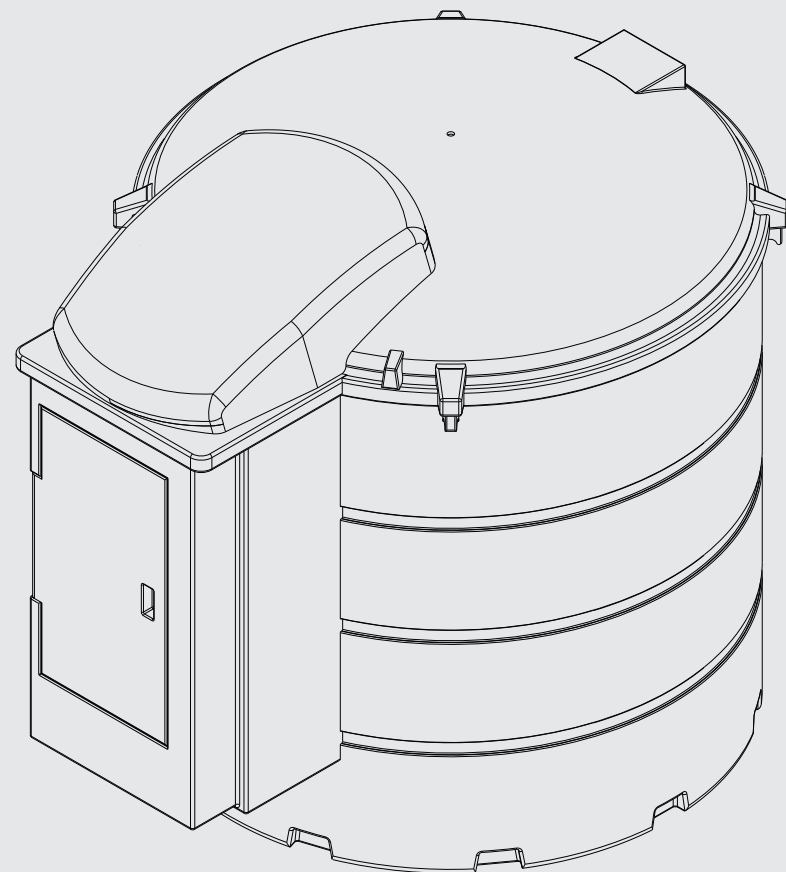


# DESO

## ENGINEERING

Deso Engineering  
Slade Way  
Roughmoor Industrial Estate  
Williton  
Somerset  
TA4 4TB

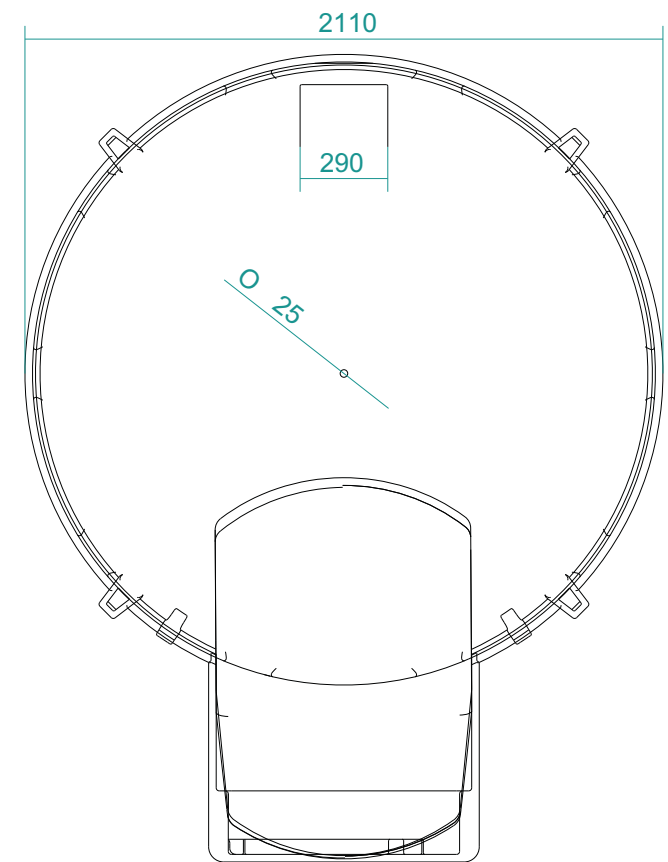
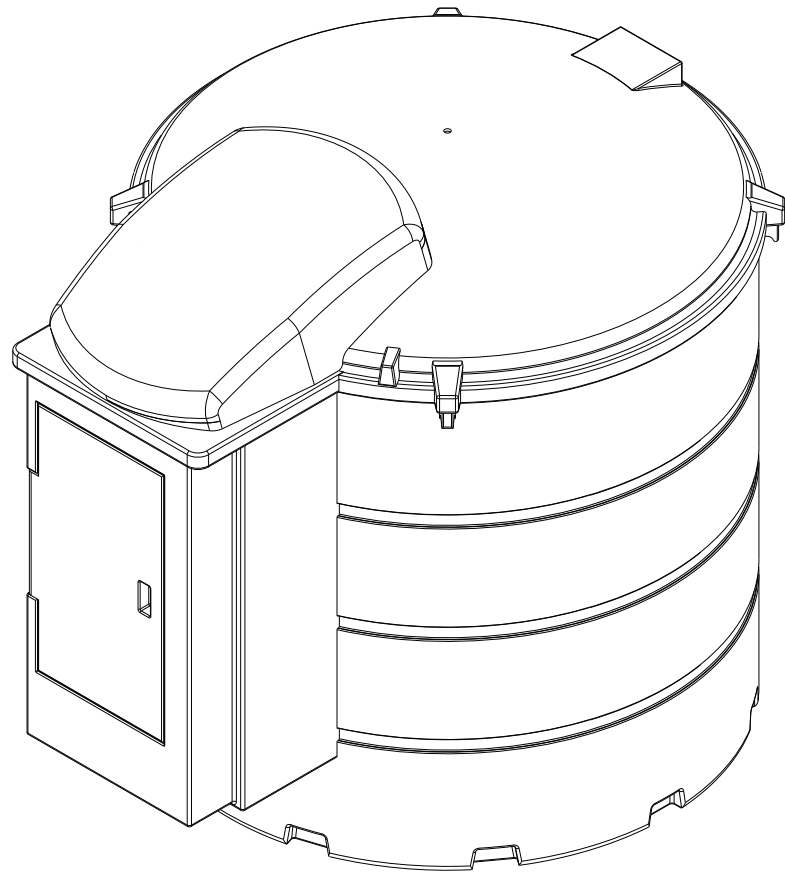
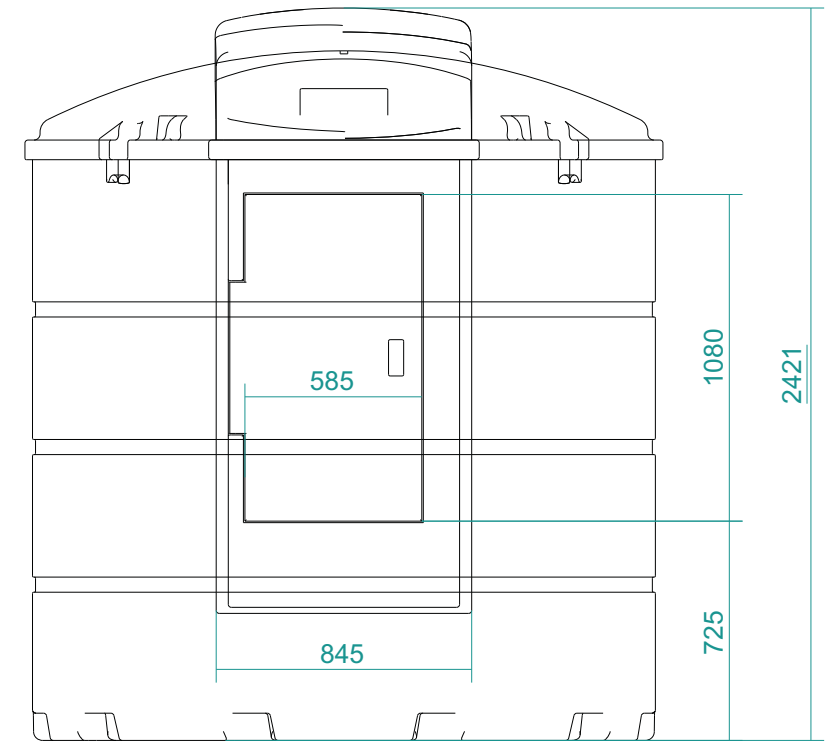
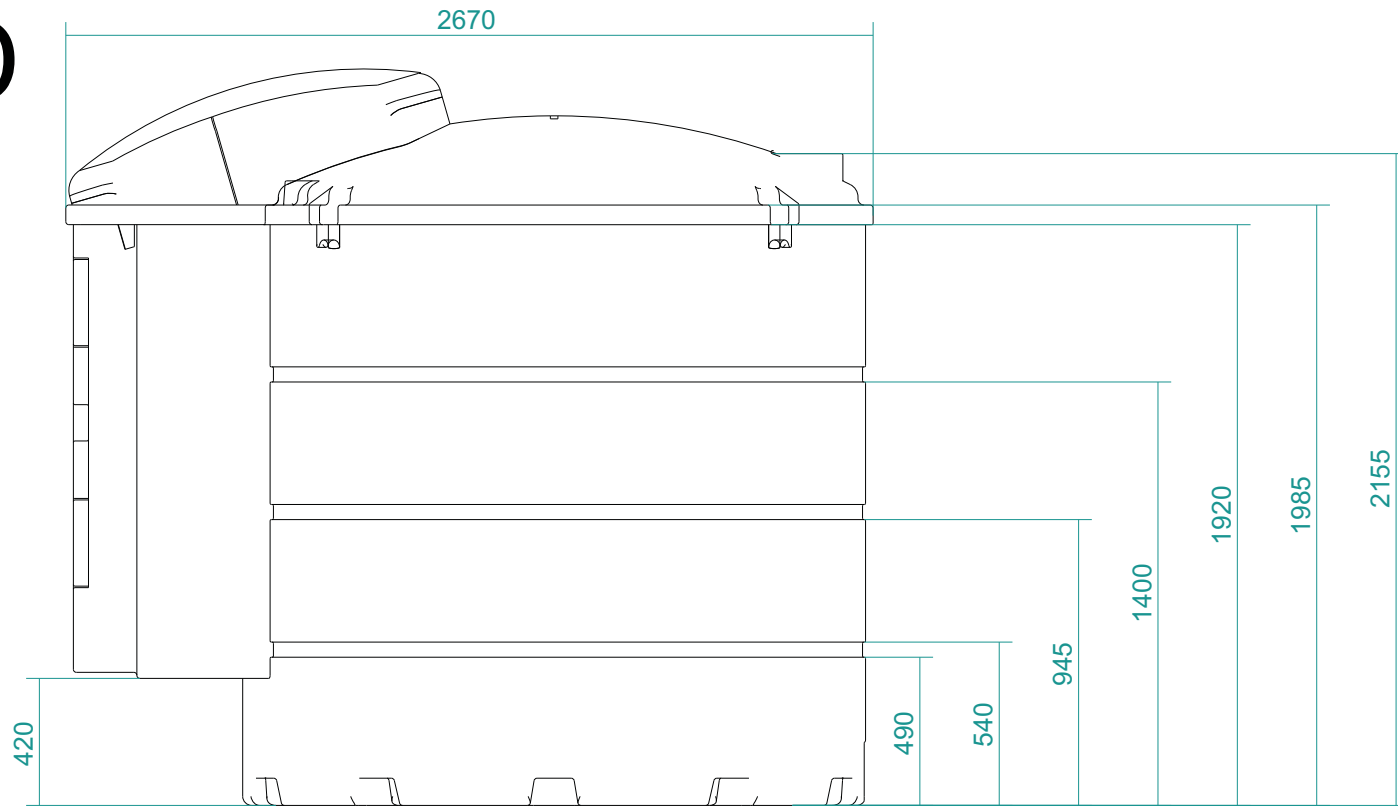
Telephone - 01984 632026  
Fax - 01984 634267  
[enquiries@desoengineering.co.uk](mailto:enquiries@desoengineering.co.uk)



# V5000DD

Weight	350kg
Capacity	5000litres
Diameter	-
Length	2680mm
Width	2120mm
Height	2440mm
Ofcert licence No.	0668060212

# V5000DD



V5000DD	No. 1 of 1	3rd Angle Orthographic	scale: <b>1:25</b>	Design by Inky Design www.inky-design.co.uk
<b>DESO</b> <b>ENGINEERING</b> Telephone - 01984 632026		drawn by: Jonathan Taphouse (BEng)		
		date: 28 - 01 - 2008	ISO	