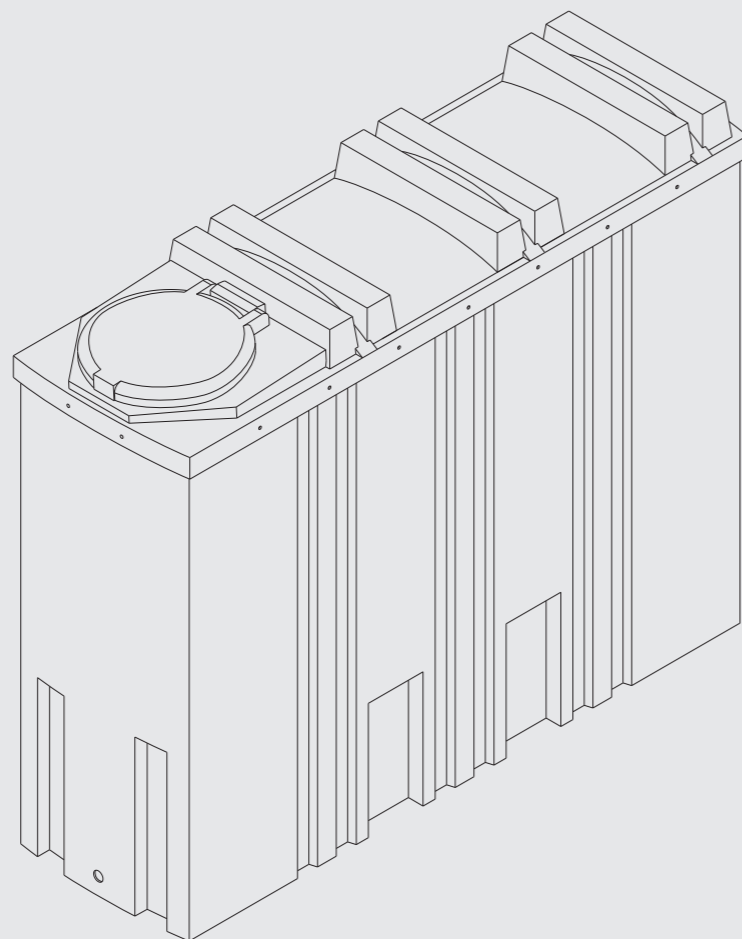


# DESO

## ENGINEERING

Deso Engineering  
Slade Way  
Roughmoor Industrial Estate  
Williton  
Somerset  
TA4 4TB

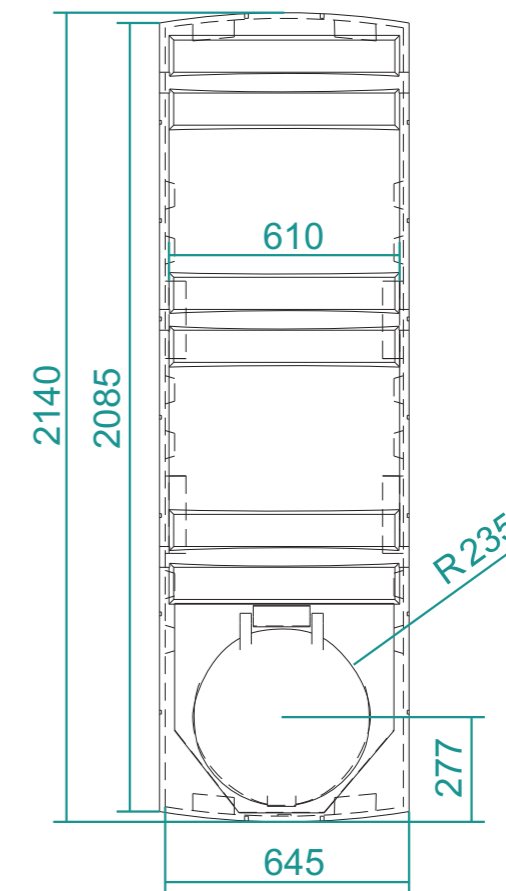
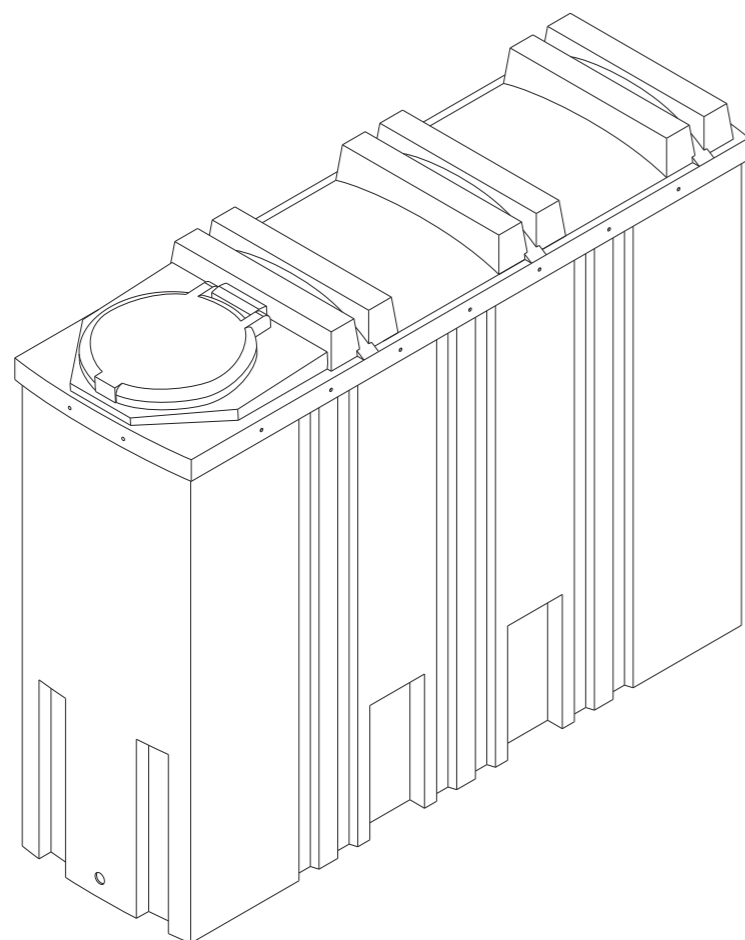
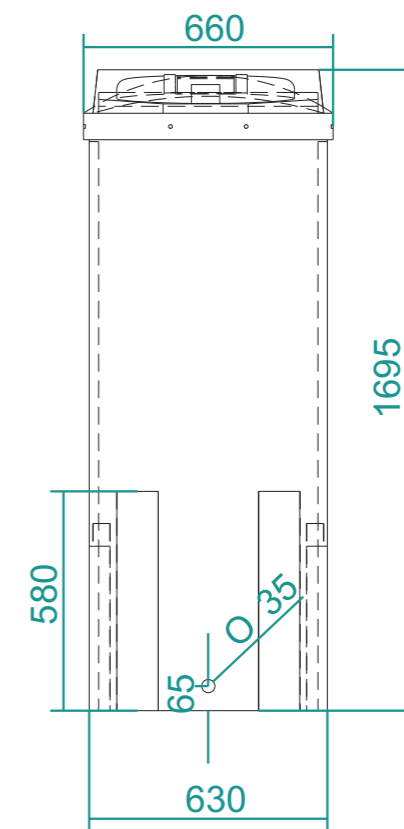
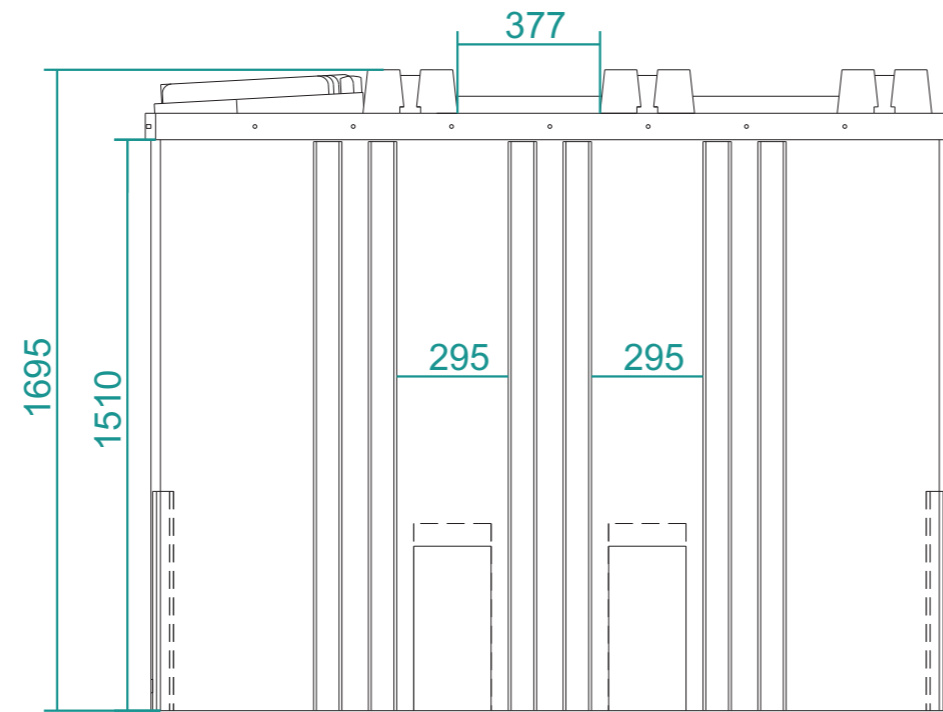
Telephone - 01984 632026  
Fax - 01984 634267  
enquiries@desoengineering.co.uk



# SL1 400B

Weight	-
Capacity	1400litres
Diameter	-
Length	2140mm
Width	630mm
Height	1659mm
Ofcert licence No.	-

# SL1400B



SL1400B	No. 1 of 1	3rd Angle Orthographic	scale: <b>1:20</b>	Design by Inky Design www.inky-design.co.uk
<b>DESO</b> ENGINEERING Telephone - 01984 632026		drawn by: Jonathan Taphouse (BEng)		
		date: 25 - 02 - 2011		ISO