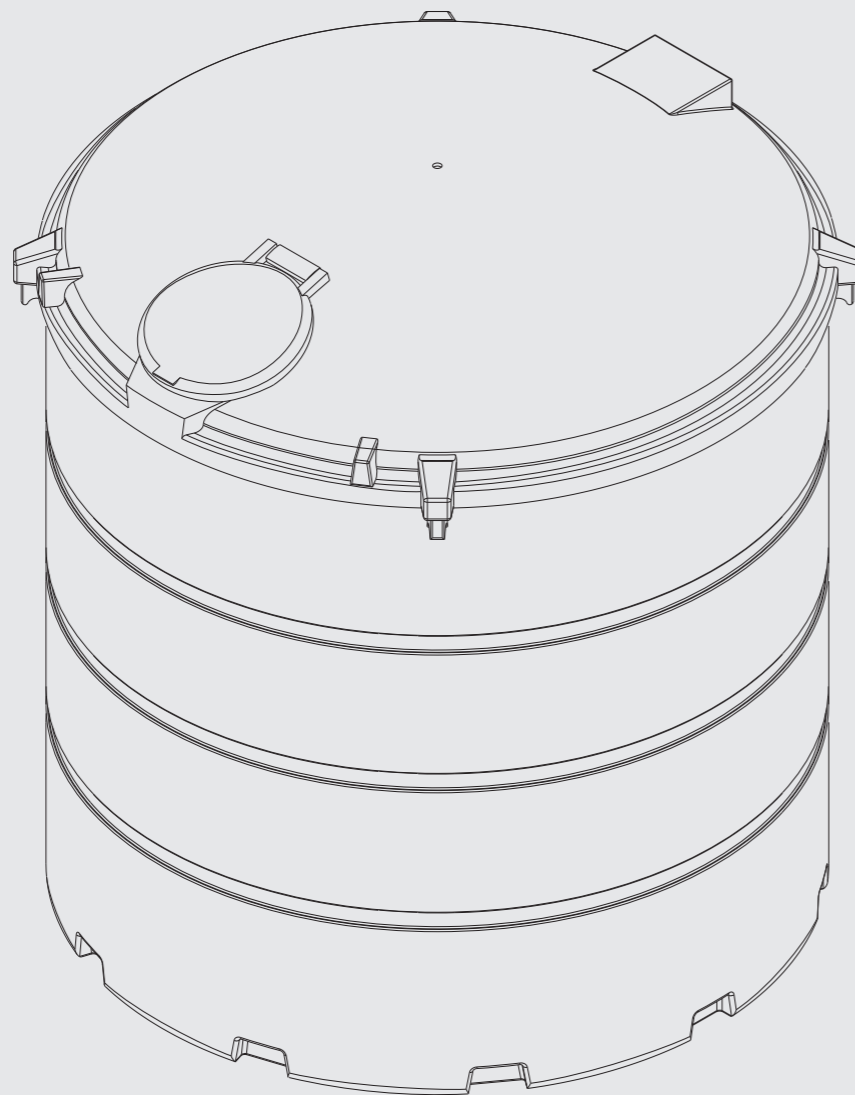


DESO

ENGINEERING

Deso Engineering
Slade Way
Roughmoor Industrial Estate
Williton
Somerset
TA4 4TB

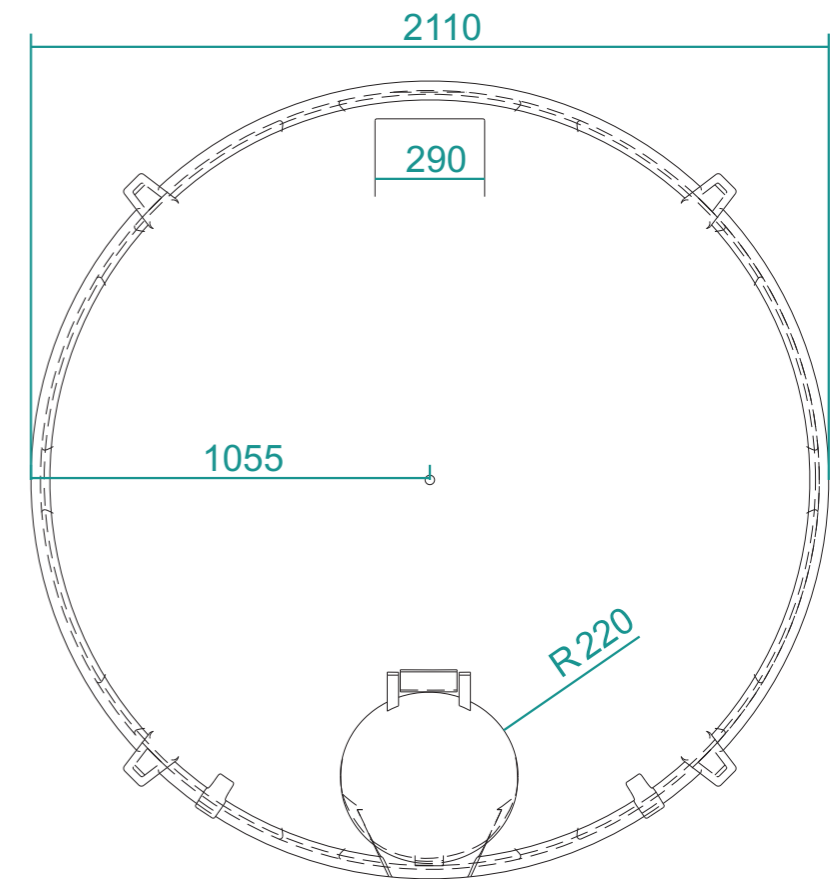
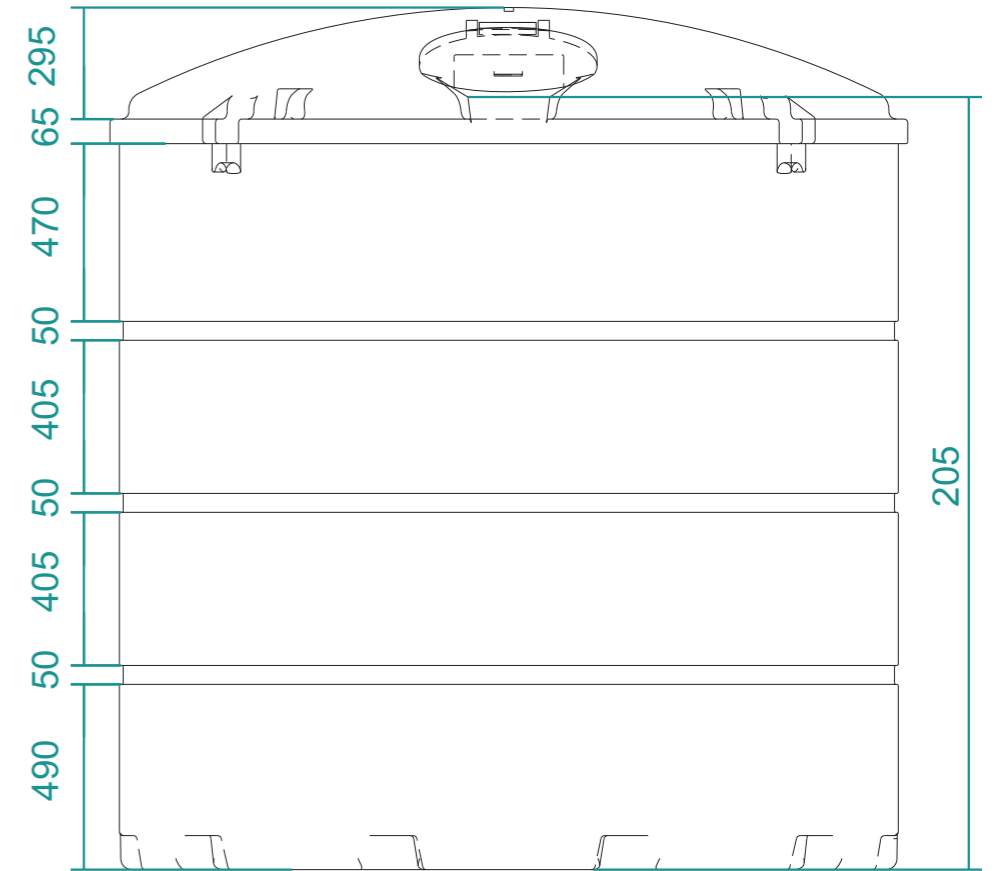
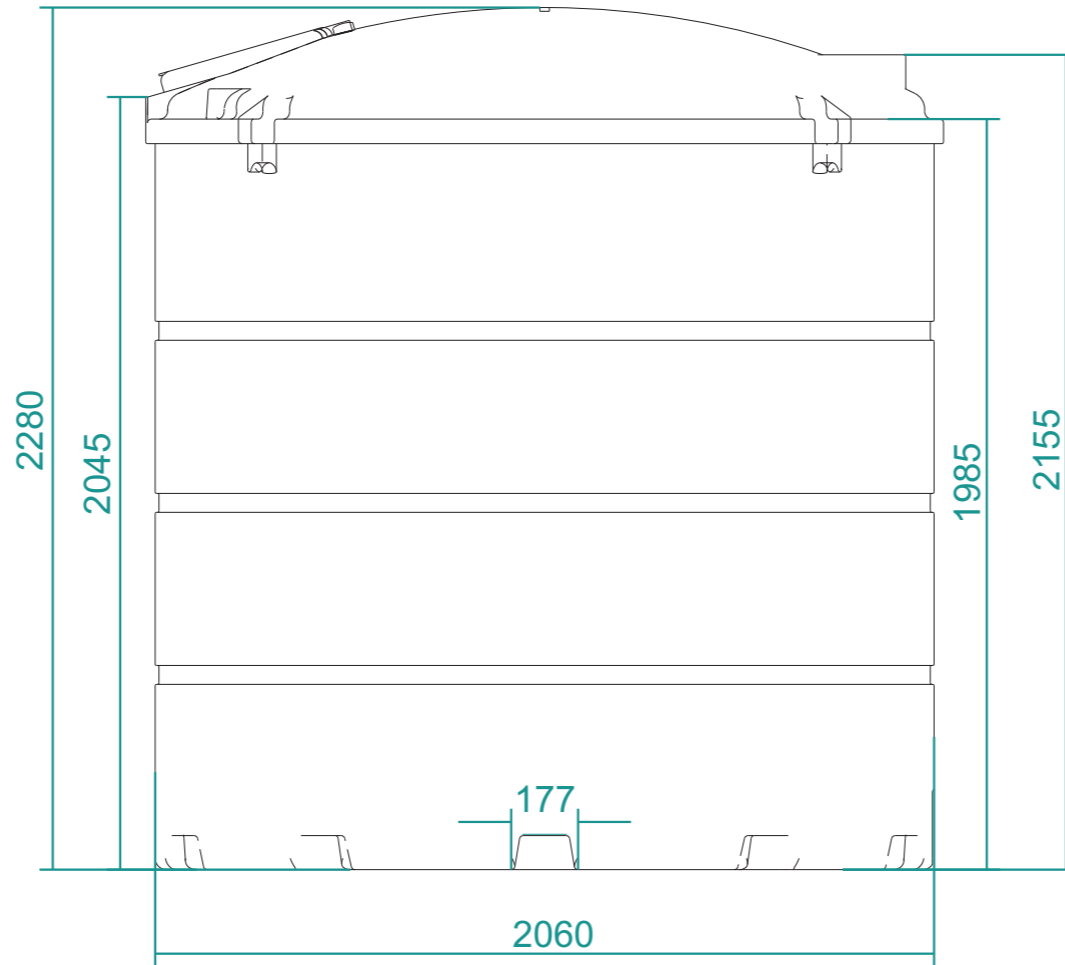
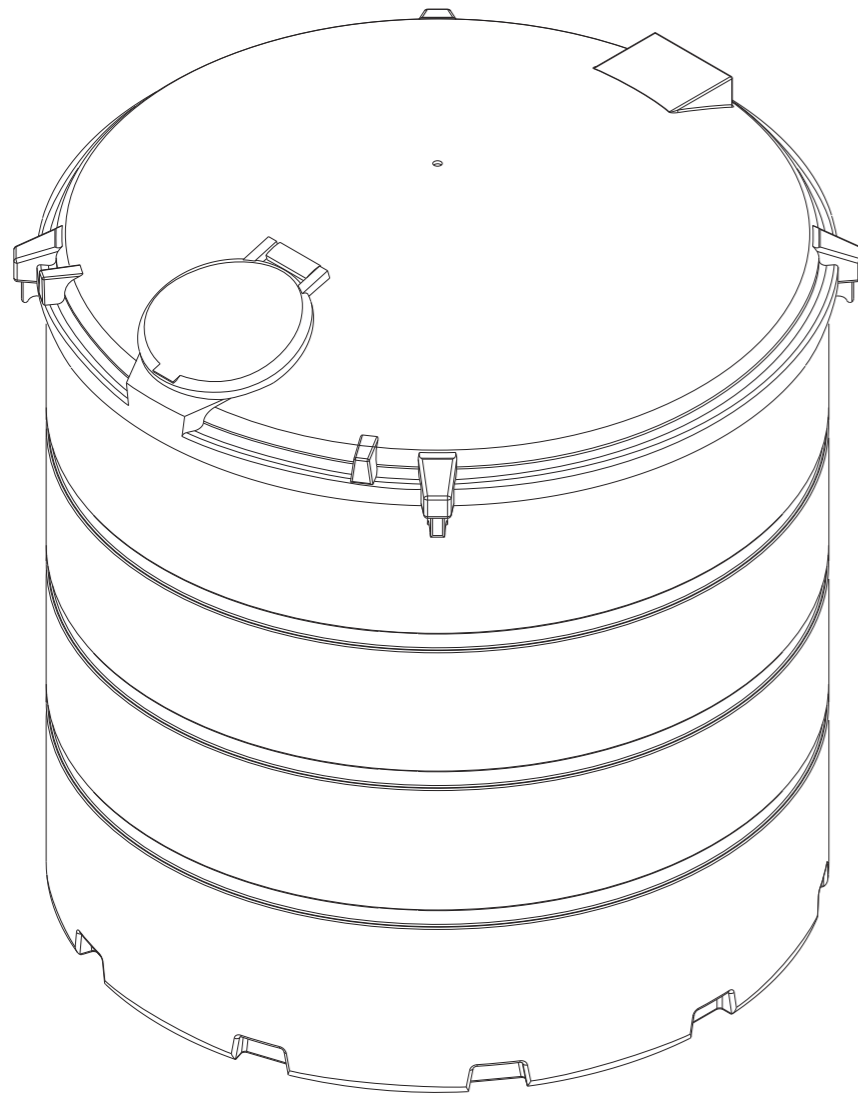
Telephone - 01984 632026
Fax - 01984 634267
enquiries@desoengineering.co.uk



V5000B

Weight	282kg
Capacity	5000litres
Diameter	2110mm
Length	-
Width	-
Height	2280mm
Ofcert licence No.	0668060212

V5000B



V5000B	No. 1 of 1	3rd Angle Orthographic	scale: 1:20	Design by Inky Design www.inky-design.co.uk
DESO ENGINEERING Telephone - 01984 632026		drawn by: Jonathan Taphouse (BEng)		ISO
		date: 23 - 02 - 2011		